

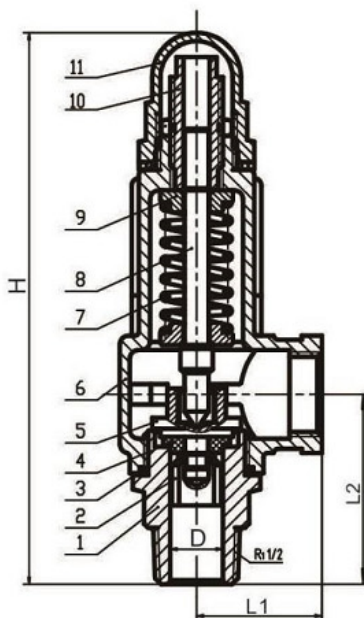
## Bronze Safety Valve

### S10T Safety Valve Application:

The safety valves are used in mold temperature controller, air compressor, water system, oil pipe, gas system, and so on.

### Operating Principle:

After installing in the piping system, the safety valve will work automatically when the pressure of medium in the system is reaching to the set value. It releases pressure to protect the system.



### General material

NO.	Name	S10T
1	Valve Seat	CW617N
2	Buffer	CW617N
3	Gasket Ring	PTFE
4	Gasket	-
5	Disc	CW617N
6	Valve Body	BRONZE
7	Spring	SS304
8	Spindle	CW617N
9	Spring Seat	CW617N
10	Adjust Screw	CW617N
11	Cap	CW617N

1. Max working pressure: 4.0MPa
2. For medium: water, steam, gas (non-corrosive)
3. Working temperature: 220°C

### Dimension

Dimension						Unit: mm
Inlet	D	Outlet	Lift	L1	L2	H
1/2"	13	1/2"	0.52	31	48	135.5
3/4"	19	3/4"	0.76	35	55	144.5
1"	25	1"	1	39.5	65	175
1 1/4"	31.5	1 1/4"	1.28	50.5	75	197
1 1/2"	37	1 1/2"	1.52	59	86	223.5
2"	47	2"	2	67	100	257